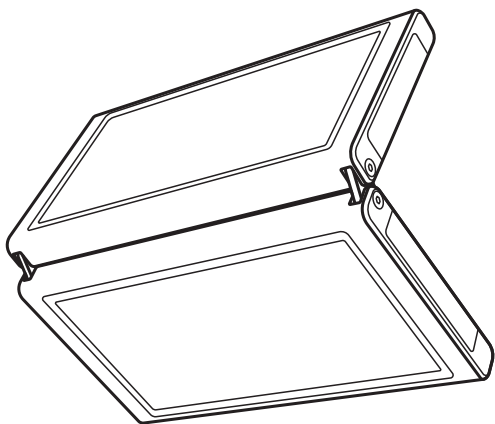


POCKELITE

F7 Fold

RGB LED Light



FE® Designed by FalconEyes in China

说明书
Manual



使用前请撕下柔光片保护膜

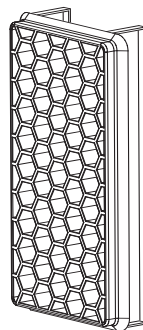
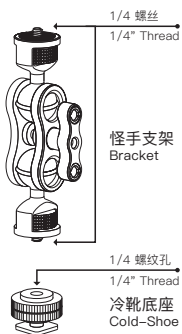
Remove the protective film before use

注意事项 / Precautions

使用前请先仔细阅读此说明书；请检查产品是否完整及无任何配件遗漏；切勿尝试自行拆开产品进行维修，如需维修请联络专业电工、供应商；本手册描述的产品及附件和功能仅供参考，我司保留修改本手册中信息权利。

Please read this manual before using the light and follow the instructions. Make sure that the product is intact and that there are no missing parts. Do not open or repair the unit yourself. If there is any defect, please contact an experienced technician.

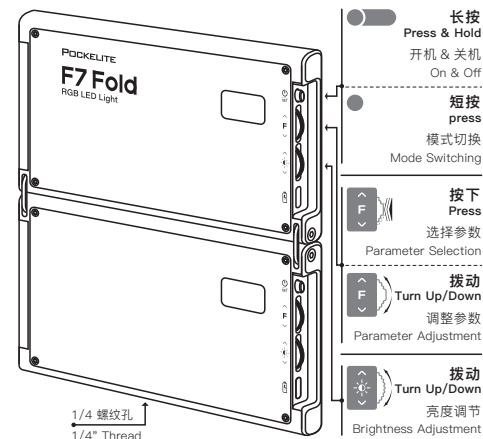
物品清单 / List of items



蜂巢罩
Honeycomb
Grid

F7 Fold	x1	怪手支架 Bracket	x1	冷靴底座 Cold-Shoe	x1
柔光罩 Diffuser	x1	蜂巢罩 Honeycomb Grid	x2	USB充电线 USB Charging cable	x2
收纳包 Pouch	x1	说明书/保修卡 Manual	x1		

产品示意说明 / Product Overview



开机关&功能切换 On/Off & Function Switch

1. 长按电源键 1.5 秒, 开机或关机;
 2. 按电源键切换灯光模式。
1. Press & Hold the power button for 1.5 seconds to turn on or off;
 2. Press the power button to switch the light mode.

色温模式 Color Temperature Mode

1. 上下拨动 F 多功能拨盘调整色温值;
 2. 上下拨动亮度拨盘调整亮度。
1. Turn the F multifunction dial up and down to adjust the color temperature;
 2. Turn the brightness dial up and down to adjust the brightness.

HSI模式 HSI mode

1. 按下 F 拨盘选择要调整 H(色调)或 S(饱和度)参数;
 2. 上下拨动 F 拨盘改变参数;
 3. 上下拨动亮度拨盘调整 I(亮度)参数。
1. Press the F dial to select the H (hue) or S (saturation) parameter to be adjusted;
 2. Turn the F dial up and down to change the parameters;
 3. Turn the brightness dial up and down to adjust the I (Intensity) parameter.

产品示意图 / Product Overview

灯效模式 Scene mode

1. 按下 F 拨盘切换灯效场景选择与灯效速度;
2. 上下拨动 F 拨盘选择灯效场景或灯效速度;
3. 上下拨动亮度拨盘调整亮度。

1. Press the F dial to switch between lighting scene effect and its speed;
2. Turn the F dial up or down to select the lighting effect scene or lighting effect speed;
3. Turn the brightness dial up or down to adjust the brightness.

RGB模式 RGB mode

1. 按下 F 拨盘选择要调整 R、G、B 参数;
2. 上下拨动 F 拨盘改变所选参数。

1. Press the F dial to select the Red, Green, Blue parameters to be adjusted;
2. Turn the F dial up or down to change the selected parameter.

LEE模式 LEE mode

1. 按下 F 拨盘选择 LEE 色纸编号;
2. 上下拨动亮度拨盘调整亮度。

1. Press the F dial to select the LEE color code;
2. Turn the brightness dial up and down to adjust the brightness.

ROSCO模式 ROSCO mode

1. 按下 F 拨盘选择 ROSCO 色纸编号;
2. 上下拨动亮度拨盘调整亮度。

1. Press the F dial to select the ROSCO color code;
2. Turn the brightness dial up and down to adjust the brightness.

蓝牙重置 Bluetooth reset

1. 按下 F 拨盘选择“?”;
2. 向上拨动 F 拨盘显示“YES”;
3. 按下 F 拨盘后蓝牙连接重置。

1. Press the F dial to select “?”;
2. Turn the F dial up to display “YES”;
3. Press the F dial to reset Bluetooth connection.



DESAL Lite

Lighting Remote Control APP
灯光无线控制app



Download on the
App Store

IOS

搜索“DESAL Lite”下载安装
Search “DESAL Lite” on APP Store
to download



Android

请手机浏览器扫描二维码下载安装
Use your scan tool scan the QR code to
download

产品参数 / Product Specifications

灯炮数及功率 LEDS	108pcs x 0.5W<白White> / 108pcs x 0.5W<黄Yellow> / 192pcs x 0.5W<彩色RGB>
输出功率 Wattage	24W
色温 CCT	2500K-9000K
工作电压 Volt	5-15V 2A
调光 Dimming	0-100%
照射角度 Beam Angle	5600K: 1m 61°
电池容量 Battery	7.6V / 总容量7600mAh (3800mAh x2) / 总瓦时57.6Wh (28.8Wh x2)
续航时间 Runtime	5600k ≤2.5小时/hour (全功率 full power)
兼容性 Compatibility	USB充电口: 5-15V2A / 支持QC3.0快充协议 / USB充电口为 type-c usb USB charging port:5-15V2A / Support QC3.0 quick charge / Type-c USB charging port
显色度 CRI	96
照度 LUX	2500K: 0.3m 10700 / 0.5m 3990 / 1m 965 / 2m 242 5500K: 0.3m 11200 / 0.5m 4010 / 1m 972 / 2m 250
英尺烛光 Footcandles	2500K: 0.3m 994 / 0.5m 371 / 1m 89 / 2m 22 5500K: 0.3m 1040 / 0.5m 373 / 1m 90 / 2m 23
机身尺寸 Dimensions	173x160x15mm
重量 Weight	685g
温度许可范围 Temperature permit range	亮灯状态Lighting -8°C - 38°C / 充电状态Charging 0°C - 35°C / 储存环境Storage -8°C - 65°C

产品保修卡(维修联)Warranty Card (For staff)

日期 Date	维修部门 Department	维修人员 Staff
故障现象 Fault conditions		
客户名称 name		
购买日期 Date of purchase		产品型号 Model
联系地址 address		联系电话 Tel

产品保修卡(用户联)Warranty Card (For user)

保修须知 / Warranty Notice

保修期内, 用户需保修时, 请填写本卡随保修产品一并寄到指定保修点
保修, 保修是以下情况之一不属于免费保修的范围:

1. 超过保修期(由购买日起, 产品保修一年);
2. 用户自行拆卸, 机器结构有人为损坏的;
3. 用户维修或使用不当(如受潮、外力撞击、充电电压过高过低环境、过热过冷、入水等)而引起的损坏或故障的;
4. 随机配件不予以保修。

If the user needs to maintain the product during warranty period, please fill out this warranty card and send the product (along with warranty card) to the assigned service point.

The situations below will not be considered in the warranty.

1. The warranty period is expired. (One year warranty, starting from the date of purchase)
2. Any damage or loss caused by man-made and unauthorized repair or modification.
3. Any damage caused by misuse. (E.g. using the light in humid, overheat or frozen environment; impact; high voltage charging and inflow of any liquid etc.)
4. Accessories are not covered by the warranty.

www.falconeyeshk.com

www.falconeyes.com.cn