



Instruction Manual

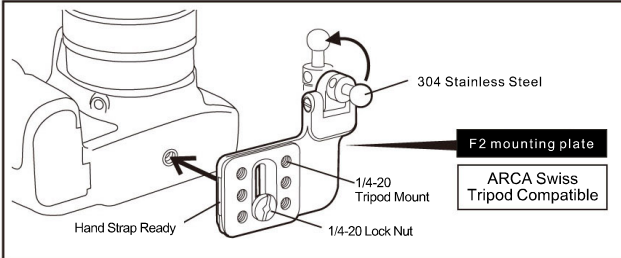
Patents Granted

ZL 2013 2 0059549.9
ZL 2013 2 0072635.3
ZL 2013 2 0840545.4

For more info, please visit
www.degreef-partner.nl

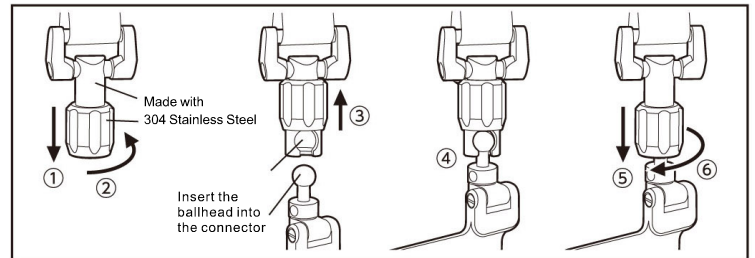


1 Install the F-2 foldable mounting plate



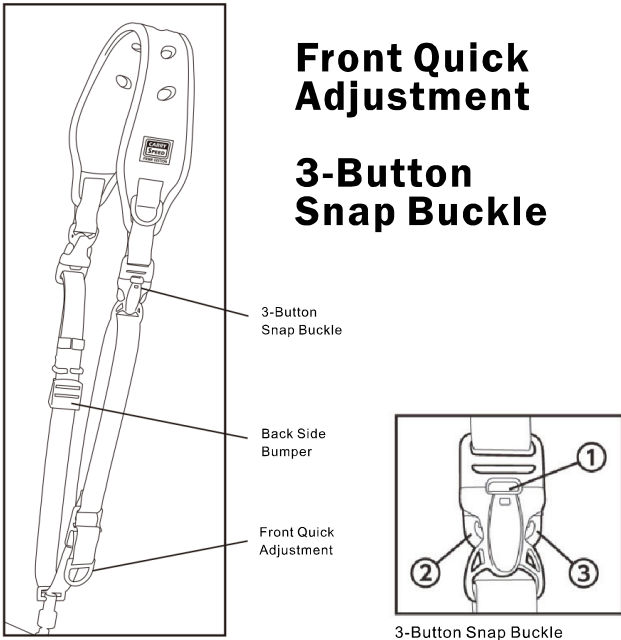
Please use coin or allen wrench to tighten the lock nut

2 Use the ballhead connector



Always check your connector condition before use sling strap
We will recomend you replace the connector every year for best result.

3 Shoulder Pad & Strap Body

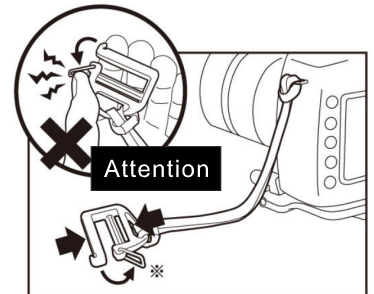


Front Quick Adjustment

3-Button Snap Buckle

FREE Safety Strap included

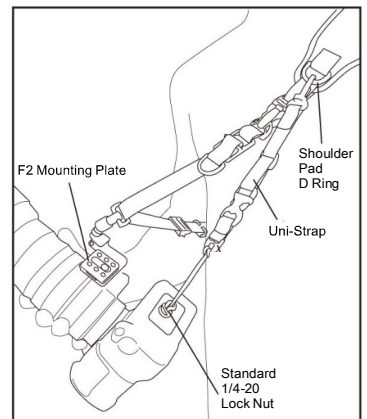
Please always use safety strap during using your carry speed sling strap.



Unique Double Connection

Great for long telephoto lens setup

*1 Double Connection



PRIME FS-PRO

Built for Pro
304 Stainless Steel Connector
Neoprene Shoulder Pad
Front Quick Adjustment
FREE safety strap included
FREE Uni/Hand Strap



PRIME FS-SLIM

Built for light system
304 Stainless Steel Connector
Neoprene Shoulder Pad
Front Quick Adjustment
FREE safety strap included

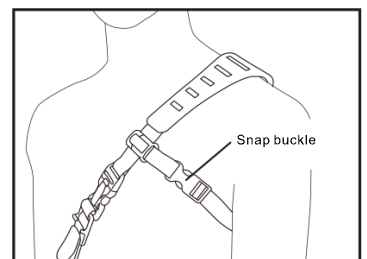


PRIME EXTREME

Built for outdoor
304 Stainless Steel Connector
Rubberized Shoulder Pad
Front Quick Adjustment
FREE safety strap included
FREE under arm strap



*2 Under Arm Strap



Optional under arm strap